



KNIKMOPS
ENGINEERED TO PERFORM

KM 180

TECHNICAL SPECIFICATION

**GEBROEDERS
GEENS**

POWERFULL INNOVATIONS

Gebroeders Geens NV

Industriezone De Kluis
Hinnenboomstraat 5
2320 Hoogstraten, België

T: +32 (0)3 314 79 30
T: +32 (0)3 297 29 30

info@knikmops.be
www.knikmops.be

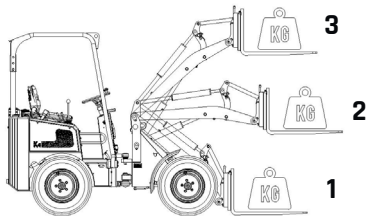
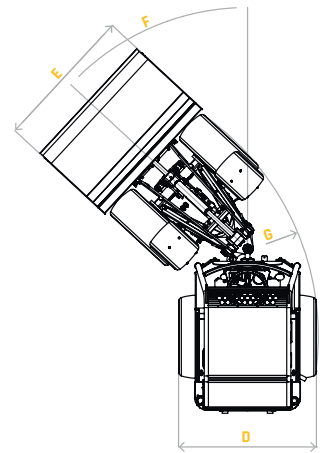
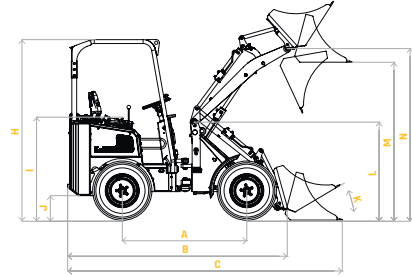


KM 180

KM180

KM180TE

mm	Wheelbase	A	1770	1850
mm	Chassis length	B	2990	3240
mm	Total length with shovel bucket	C	3800	4075
mm	Overall width	D	1335/1400	1335/1400
mm	Shovel bucket width	E	1400/1500	1400/1500
°	Maximum turning angle	F	50	50
mm	Turning radius outside edge	G	2760	2760
mm	Rollbar height/ROPS FOPS height	H	2300/2380	2300/2380
mm	Seat height	I	1340	1340
mm	Ground clearance	J	335	335
°	Tipping-in angle from ground surface	K	30	30
mm	Arm hinge height	L	1335	1365
mm	Transfer height	M	2230	2490/3140
mm	Shovel bucket rotation point, max	N	2405	2660/3310
L	Fuel tank capacity		45	45
	Diesel engine type (Yanmar)		3TNV86CT	3TNV86CT
kw/pk	Engine power		32.4/43	32.4/43
	Number of cylinders		3	3
	Drive hydraulics		plungerpomp	plungerpomp
	Wheeldrive		plungermotor	plungermotor
L/min	Output of work hydraulics		50	50
bar	Pressure of work hydraulics		180	180
kg	Kerbweight without attachment		1800	2200
kg	Lifting force		1400	1300
kg	Breakout force		1250	940
km/h	Topspeed		20	20



	1	2	3
KM 180 not articulated	1470	1180	880
KM 180 TE not articulated Telescopic arm in	1240	1150	820
KM 180 TE not articulated Telescopic arm out	880	710	610

Data is subject to change - Gebroeders Geens nv (01-2021)

