

ROLLMOPS
PAVES YOUR WAY

RM50-55-70

TECHNICAL SPECIFICATION



**GEBROEDERS
GEENS**

POWERFULL INNOVATIONS

Gebroeders Geens NV

Industriezone De Kluis
Hinnenboomstraat 5
2320 Hoogstraten, België

T: +32 (0)3 314 79 30

T: +32 (0)3 297 29 30

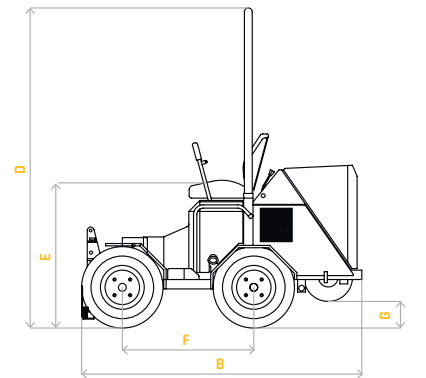
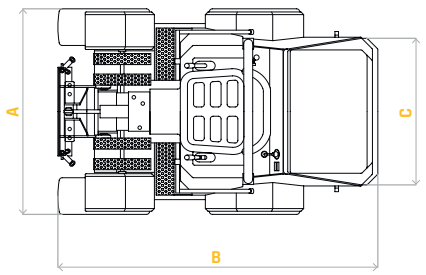
F: +32 (0)3 314 84 30

info@knikmops.be

www.knikmops.be

RM50-55-70

			RM50	RM55	RM70
mm	Overall width	A	1180	1180	1150
mm	Chassis length	B	1660	1910	1790
mm	Width chassis	C	900	900	810
mm	Rollbar height / ROPS FOPS height	D	1970	1970	2080
mm	Seat height	E	900	900	925
mm	Wheelbase	F	1200	1450	840/1315
mm	Ground clearance	G	150	150	150
L	Fuel tank capacity		22	22	19
	Diesel engine type (Kubota)		D722	D722	D1105
kw/pk	Engine power		13/18	13/18	19/25
	Number of cylinders		3	3	3
	Drive hydraulics		Plungerpomp	Plungerpomp	Plungerpomp
	Wheeldrive		Orbitmotor	Orbitmotor	Orbitmotor
L/min	Output of work hydraulics		12	12	12
bar	Pressure of work hydraulics		180	180	180
kg	Kerbweight without attachment		475	490	695
kg	Lifting force		330	480/590	480/590
km/h	Topspeed		16	16	16



Data is subject to change Gebroeders Geens (05-2021)