

KNIKMOPS
ENGINEERED TO PERFORM
100% electric

KM 140 E

TECHNICAL SPECIFICATION

**GEBROEDERS
GEENS**

POWERFUL INNOVATIONS

Gebroeders Geens NV

Industriezone De Kluis
Hinnenboomstraat 5
2320 Hoogstraten, België

T: +32 (0)3 314 79 30

T: +32 (0)3 297 29 30

info@knikmops.be

www.knikmops.be

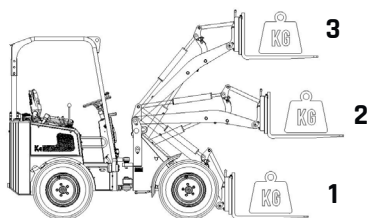
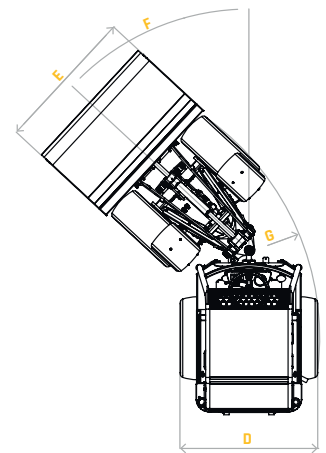
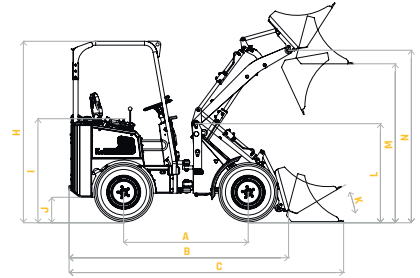


KM 140 E

KM140 E Standard

KM140 E Endruucne

mm	Wheelbase	A	1600	1600
mm	Chassis length	B	2710	2710
mm	Total length with shovel bucket	C	3390	3390
mm	Overall width	D	950/1350	950/1350
mm	Shovel bucket width	E	1000/1270	1000/1270
°	Maximum turning angle	F	47	47
mm	Turning radius outside edge	G	2400	2400
mm	Rollbar height/ROPS FOPS height	H	2170/2260	2170/2260
mm	Seat height	I	1270	1270
mm	Ground clearance	J	315	315
°	Tipping-in angle from ground surface	K	30	30
mm	Arm hinge height	L	1230	1320
mm	Transfer height	M	1975	19750
mm	Shovel bucket rotation point, max	N	2145	2145
kWh	Battery size		20	30
h	Average operating time		5	8
h	Average charging time (80%)		1h45	2h30
	Drive hydraulics		plungerpomp	plungerpomp
	Wheeldrive		plungermotor	plungermotor
L/min	Output of work hydraulics		48	48
bar	Pressure of work hydraulics		180	180
kg	Kerbweight without attachment		1550	1550
kg	Lifting force		1150	1150
kg	Breakout force		955	955
km/h	Topspeed		16	16



	1	2	3
KM 140 E not articulated	1600	1155	940

Data is subject to change - Gebroeders Geens nv (06-2021)

