

KNIKMOPS
ENGINEERED TO PERFORM

KM 140

TECHNICAL SPECIFICATION

**GEBROEDERS
GEENS**

POWERFULL INNOVATIONS

Gebroeders Geens NV

Industriezone De Kluis
Hinnenboomstraat 5
2320 Hoogstraten, België

T: +32 (0)3 314 79 30
T: +32 (0)3 297 29 30

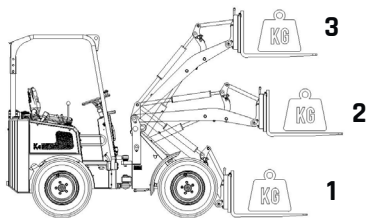
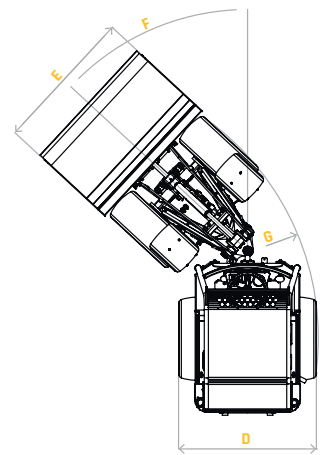
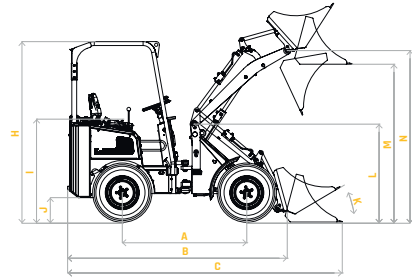
info@knikmops.be
www.knikmops.be

KM 140

KM140

KM140TE

mm	Wheelbase	A	1600	1700
mm	Chassis length	B	2810	2960
mm	Total length with shovel bucket	C	3490	3640
mm	Overall width	D	950/1350	950/1350
mm	Shovel bucket width	E	1000/1270	1000/1270
°	Maximum turning angle	F	47	47
mm	Turning radius outside edge	G	2500	2500
mm	Rollbar height/ROPS FOPS height	H	2170/2260	2170/2260
mm	Seat height	I	1270	1270
mm	Ground clearance	J	315	315
°	Tipping-in angle from ground surface	K	30	30
mm	Arm hinge height	L	1230	1320
mm	Transfer height	M	1975	2420/3030
mm	Shovel bucket rotation point, max	N	2145	2590/3200
L	Fuel tank capacity		40	40
	Diesel engine type (Yanmar)		3TNV88C	3TNV88C
kw/pk	Engine power		27.5/37	27.5/37
	Number of cylinders		3	3
	Drive hydraulics		plungerpomp	plungerpomp
	Wheeldrive		plungermotor	plungermotor
L/min	Output of work hydraulics		48	48
bar	Pressure of work hydraulics		180	180
kg	Kerbweight without attachment		1550	1750
kg	Lifting force		1150	925
kg	Breakout force		955	1025
km/h	Topspeed		20	20



	1	2	3
KM 140 not articulated	1410	1155	940
KM 140 TE not articulated Telescopic arm in	1300	980	540
KM 140 TE not articulated* Telescopic arm out	760	600	450

Data is subject to change - Gebroeders Geens nv (12-2022)

