



KNIKMOPS
ENGINEERED TO PERFORM

KM 250

TECHNICAL SPECIFICATION

**GEBROEDERS
GEENS**

POWERFULL INNOVATIONS

Gebroeders Geens NV

Industriezone De Kluis
Hinnenboomstraat 5
2320 Hoogstraten, België

T: +32 (0)3 314 79 30
T: +32 (0)3 297 29 30

info@knikmops.be
www.knikmops.be

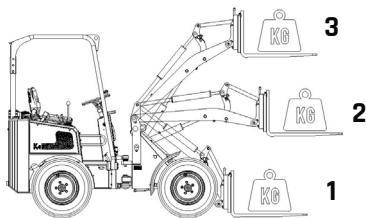
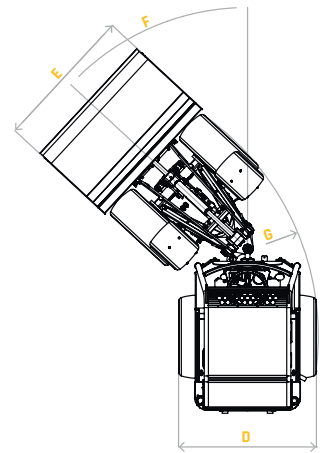
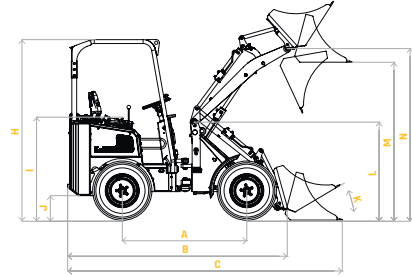


KM 250

KM250

KM250TE

mm	Wheelbase	A	1875	1995
mm	Chassis length	B	3180	3440
mm	Total length with shovel bucket	C	3980	4270
mm	Overall width	D	1180/1520	1180/1520
mm	Shovel bucket width	E	1500/1700	1500/1700
°	Maximum turning angle	F	50	50
mm	Turning radius outside edge	G	2800	2950
mm	Rollbar height/ROPS FOPS height	H	2220/2430	2220/2430
mm	Seat height	I	1425	1425
mm	Ground clearance	J	360	360
°	Tipping-in angle from ground surface	K	30	30
mm	Arm hinge height	L	1410	1455
mm	Transfer height	M	2480	2625/3380
mm	Shovel bucket rotation point, max	N	2650	2775/3550
L	Fuel tank capacity		60	60
	Diesel engine type (Yanmar)		4TNV88C	4TNV88C
kw/pk	Engine power		35.5/48	35.5/48
	Number of cylinders		4	4
	Drive hydraulics		plungerpomp	plungerpomp
	Wheeldrive		plungermotor	plungermotor
L/min	Output of work hydraulics		63	63
bar	Pressure of work hydraulics		180	180
kg	Kerbweight without attachment		2380	2750
kg	Lifting force		1800	1700
kg	Breakout force		1440	1415
km/h	Topspeed		20	20



	1	2	3
KM 250 not articulated	2400	1630	980
KM 250 TE not articulated Telescopic arm in	1600	1350	950
KM 250 TE not articulated Telescopic arm out	1050	880	700

Data is subject to change - Gebroeders Geens nv (01-2021)

