



KNIKMOPS
ENGINEERED TO PERFORM

KM 130

TECHNICAL SPECIFICATION

**GEBROEDERS
GEENS**

POWERFULL INNOVATIONS

Gebroeders Geens NV

Industriezone De Kluis
Hinnenboomstraat 5
2320 Hoogstraten, België

T: +32 (0)3 314 79 30
T: +32 (0)3 297 29 30

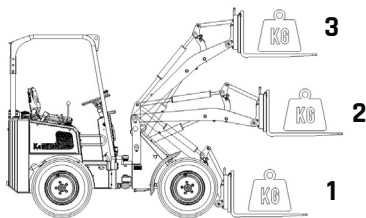
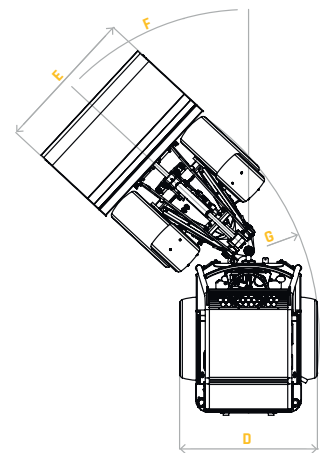
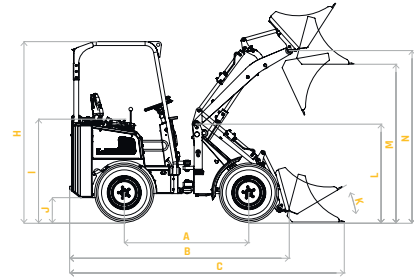
info@knikmops.be
www.knikmops.be

KM 130

KM130

KM130TE

mm	Wheelbase	A	1550	1650
mm	Chassis length	B	2710	2860
mm	Total length with shovel bucket	C	3390	3540
mm	Overall width	D	950/1250	950/1250
mm	Shovel bucket width	E	1000/1270	1000/1270
°	Maximum turning angle	F	47	47
mm	Turning radius outside edge	G	2400	2400
mm	Rollbar height/ROPS FOPS height	H	2170/2260	2170/2260
mm	Seat height	I	1270	1270
mm	Ground clearance	J	315	315
°	Tipping-in angle from ground surface	K	30	30
mm	Arm hinge height	L	1230	1320
mm	Transfer height	M	1975	2420/3030
mm	Shovel bucket rotation point, max	N	2145	2590/3200
L	Fuel tank capacity		37	37
	Diesel engine type (Kubota)		V1505	V1505
kw/pk	Engine power		19/25	19/25
	Number of cylinders		4	4
	Drive hydraulics		plungerpomp	plungerpomp
	Wheeldrive		plungermotor	plungermotor
L/min	Output of work hydraulics		37	37
bar	Pressure of work hydraulics		180	180
kg	Kerbweight without attachment		1450	1700
kg	Lifting force		900	875
kg	Breakout force		1000	970
km/h	Topspeed		20	20



	1	2	3
KM 130 not articulated	1260	970	740
KM 130 TE not articulated Telescopic arm in	1100	840	520
KM 130 TE not articulated Telescopic arm out	640	500	380

Data is subject to change - Gebroeders Geens nv (01-2021)

