



KNIKMOPS

ENGINEERED TO PERFORM

KM 125

TECHNICAL SPECIFICATION

**GEBROEDERS
GEENS**

POWERFULL INNOVATIONS

Gebroeders Geens NV

Industriezone De Kluis
Hinnenboomstraat 5
2320 Hoogstraten, België

T: +32 (0)3 314 79 30

T: +32 (0)3 297 29 30

info@knikmops.be

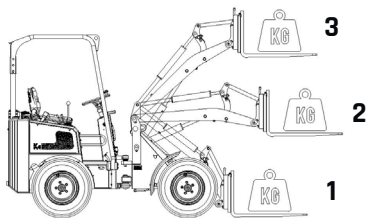
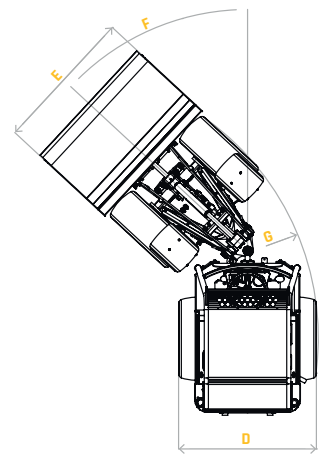
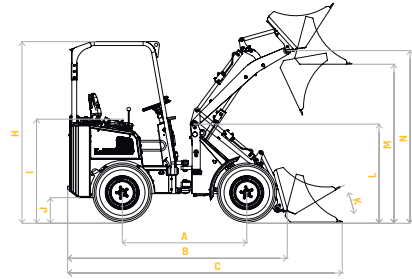
www.knikmops.be

KM 125

KM125

KM125TE

| | | | | |
|-------|--------------------------------------|---|--------------|--------------|
| mm | Wheelbase | A | 1550 | 1650 |
| mm | Chassis length | B | 2710 | 2860 |
| mm | Total length with shovel bucket | C | 3390 | 3540 |
| mm | Overall width | D | 950/1250 | 950/1250 |
| mm | Shovel bucket width | E | 1000/1270 | 1000/1270 |
| ° | Maximum turning angle | F | 47 | 47 |
| mm | Turning radius outside edge | G | 2400 | 2400 |
| mm | Rollbar height/ROPS FOPS height | H | 2170/2260 | 2170/2260 |
| mm | Seat height | I | 1270 | 1270 |
| mm | Ground clearance | J | 315 | 315 |
| ° | Tipping-in angle from ground surface | K | 30 | 30 |
| mm | Arm hinge height | L | 1230 | 1320 |
| mm | Transfer height | M | 1975 | 2420/3030 |
| mm | Shovel bucket rotation point, max | N | 2145 | 2590/3200 |
| L | Fuel tank capacity | | 37 | 37 |
| | Diesel engine type (Kubota) | | D1105 | D1105 |
| kw/pk | Engine power | | 19/25 | 19/25 |
| | Number of cylinders | | 3 | 3 |
| | Drive hydraulics | | plungerpomp | plungerpomp |
| | Wheeldrive | | plungermotor | plungermotor |
| L/min | Output of work hydraulics | | 45 | 45 |
| bar | Pressure of work hydraulics | | 180 | 180 |
| kg | Kerbweight without attachment | | 1400 | 1650 |
| kg | Lifting force | | 875 | 850 |
| kg | Breakout force | | 1000 | 970 |
| km/h | Topspeed | | 10/20 | 10/20 |



| | 1 | 2 | 3 |
|--|----------|----------|----------|
| KM 125 not articulated | 1260 | 970 | 740 |
| KM 125 TE not articulated Telescopic arm in | 1100 | 840 | 520 |
| KM 125 TE not articulated* Telescopic arm out | 640 | 500 | 380 |

Data is subject to change - Gebroeders Geens nv (01-2021)

